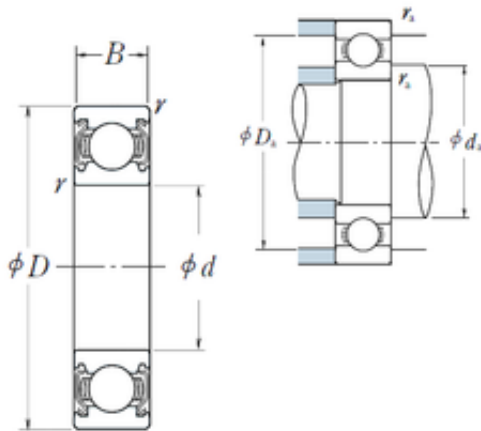




China 608z Bearing Supplier



High Performance Japan NSK Ball Bearing 6302ZZ 6302DDU 6302 Bearing

Bearing No. 6302ZZ

6302ZZ Bearing 2D drawings and 3D CAD models

Size	15x42x13 mm
Bore Diameter	15 mm
Outer Diameter	42 mm
Width	13 mm
d	15 mm
D	42 mm
B	13 mm
C	13 mm
r min.	1 mm
da min.	20 mm
da max	22,5 mm
Da max.	37 mm
ra max.	1 mm
Weight	0,083 Kg
Basic dynamic load rating (C)	11,4 kN
Basic static load rating (C0)	5,45 kN
(Grease) Lubrication Speed	17 000 r/min
Category	Single Row Ball Bearings
Inventory	0.0
Manufacturer Name	NSK
Minimum Buy Quantity	N/A
Weight / Kilogram	0.04
EAN	0029176016363
Product Group	B00308
Enclosure	2 Metal Shields



China 608z Bearing Supplier

Precision Class	ABEC 1 ISO P0
Maximum Capacity / Filling Slot	No
Rolling Element	Ball Bearing
Snap Ring	No
Internal Special Features	No
Cage Material	Steel
Internal Clearance	C0-Medium
Inch - Metric	Metric
Long Description	15MM Bore; 42MM Outside Diameter; 13MM Outer Race Diameter; 2 Metal Shields; Ball Bearing; ABEC 1 ISO P0; No Filling Slot; No Snap Ring; No Internal Special Features
Category	Single Row Ball Bearing
UNSPSC	31171504
Harmonized Tariff Code	8482.10.50.68
Noun	Bearing
Keyword String	Ball
Manufacturer URL	http://www.nskamericas.com
Manufacturer Item Number	6302ZZ
Weight / LBS	0.081
Outside Diameter	1.654 Inch 42 Millimeter
Bore	0.591 Inch 15 Millimeter
Outer Race Width	0.512 Inch 13 Millimeter
bore diameter:	15 mm
snap ring included:	Without Snap Ring
outside diameter:	42 mm
internal clearance:	C0
overall width:	13 mm
dynamic load capacity:	11400 N
bore type:	Round



China 608z Bearing Supplier

precision rating:	ABEC1, P0
closure type:	Double Shielded
finish/coating:	Uncoated
row type & fill slot:	Single Row Non-Fill Slot
cage material:	Steel Cage
SRI	4.01
hidYobi	6302ZZ
LangID	1
D_	42
SREX	0.04
B_	13
da min	20
hidTable	ecat_NSRDGB
SRE	4.21
mass	0.083
GRS rpm	17000
ra	1
SRIX	0.02
D_a	37
SRIN	0
C0	5.45
fo	12.3
SREN	0
DE_	37.438
Prod_Type3	DGBB_SR_ZZ
DA_	7.938
bomp	0
Z_	7
yobi	6302ZZ
C_conv	11400
ALPHA_	0
SDM_	29.5



China 608z Bearing Supplier

r	1
KBRG	6141
SBRG	3
DI_	21.562