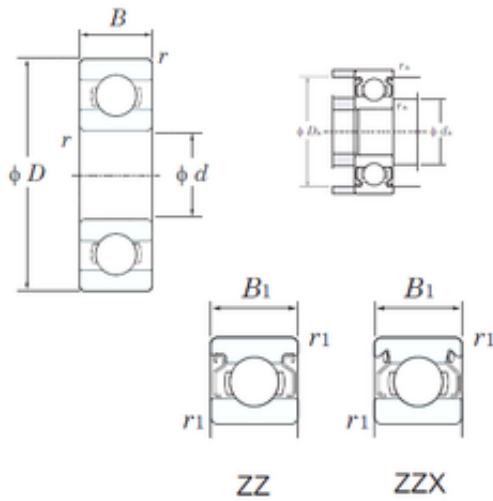




## China 608z Bearing Supplier



608zz 608z 608 Deep Groove Ball Bearing NTN  
NSK Koyo SKF

Bearing No. 608zz

608zz Bearing 2D drawings and 3D CAD models

Size	8x22x7 mm
Bore Diameter	8 mm
Outer Diameter	22 mm
Width	7 mm
d	8 mm
D	22 mm
B	7 mm
C	7 mm
r min.	0,3 mm
r1 min.	0,3 mm
da min.	10 mm
Da max.	20 mm
ra max.	0,3 mm
Weight	0,012 Kg
Basic dynamic load rating (C)	3,3 kN
Basic static load rating (C0)	1,35 kN
(Grease) Lubrication Speed	34000 r/min
Category	Single Row Ball Bearings
Inventory	0.0
Manufacturer Name	KOYO
Minimum Buy Quantity	N/A
Weight / Kilogram	12.01
Product Group	B00308
Enclosure	2 Metal Shields
Precision Class	ABEC 1   ISO P0



## China 608z Bearing Supplier

Maximum Capacity / Filling Slot	No
Rolling Element	Ball Bearing
Snap Ring	No
Internal Special Features	No
Cage Material	Steel
Internal Clearance	C0-Medium
Inch - Metric	Metric
Long Description	8MM Bore; 22MM Outside Diameter; 7MM Outer Race Diameter; 2 Metal Shields; Ball Bearing; ABEC 1   ISO P0; No Filling Slot; No Snap Ring; No Internal Special Features
Category	Single Row Ball Bearing
UNSPSC	31171504
Harmonized Tariff Code	8482.10.50.68
Noun	Bearing
Keyword String	Ball
Manufacturer URL	<a href="http://www.koyousa.com">http://www.koyousa.com</a>
Weight / LBS	26.455
Outer Race Width	0.276 Inch   7 Millimeter
Bore	0.315 Inch   8 Millimeter
Outside Diameter	0.866 Inch   22 Millimeter